

# RobooLite™

## Robotic Projector Spotlight



*Robolites can be chained and synchronized*

### Features

- \*State of the art in robotic lighting
- \*Program speed and accelerations
- \*Onboard computers with memory
- \*Chain and synchronize 30 or more RoboLites
- \*Durable aluminum housing
- \*Variable focus and pattern orientation
- \*Special effects capabilities
- \*Color, iris, and framing kits
- \*Interchangeable lenses
- \*Optional color/pattern changer
- \*Optional custom light sources

### Applications

Projects moving images on walls or dance floors.  
Creates opening night atmosphere and draws interest.  
Program unusual special effects with moving patterns.  
Create fascinating synchronized beams of light.

### Your Imagination Visualized

An Extension of your own unique imagination... **RoboLite**. A real robot with an independent shoulder axis and waist axis, the Robolite provides incredible state-of-the-art robotic operation. Swift, smooth, spinning capabilities allow special effects which have never before been possible. Robolites can be linked together and synchronized to form dynamic lighting effects. Endless rotations in both pan and tilt axes provide unlimited spectacular light movements, arousing curiosity and commanding attention. A personal computer (IBM PC or compatible) communicates with the Robolites through a standard serial port. Precise movements and routines can be saved and loaded. Through integrating routines, hundreds of positions can be achieved. Reprogramming is performed on a personal computer with menu driven software. Robolite measures only 14 inches high, 6 inches wide, and 3 inches deep and weighs under 10 pounds. A Quartz-Halogen lamp produces a bright, sharp, circular spot or pattern. Robolite, the perfect extension of your own unique imagination.

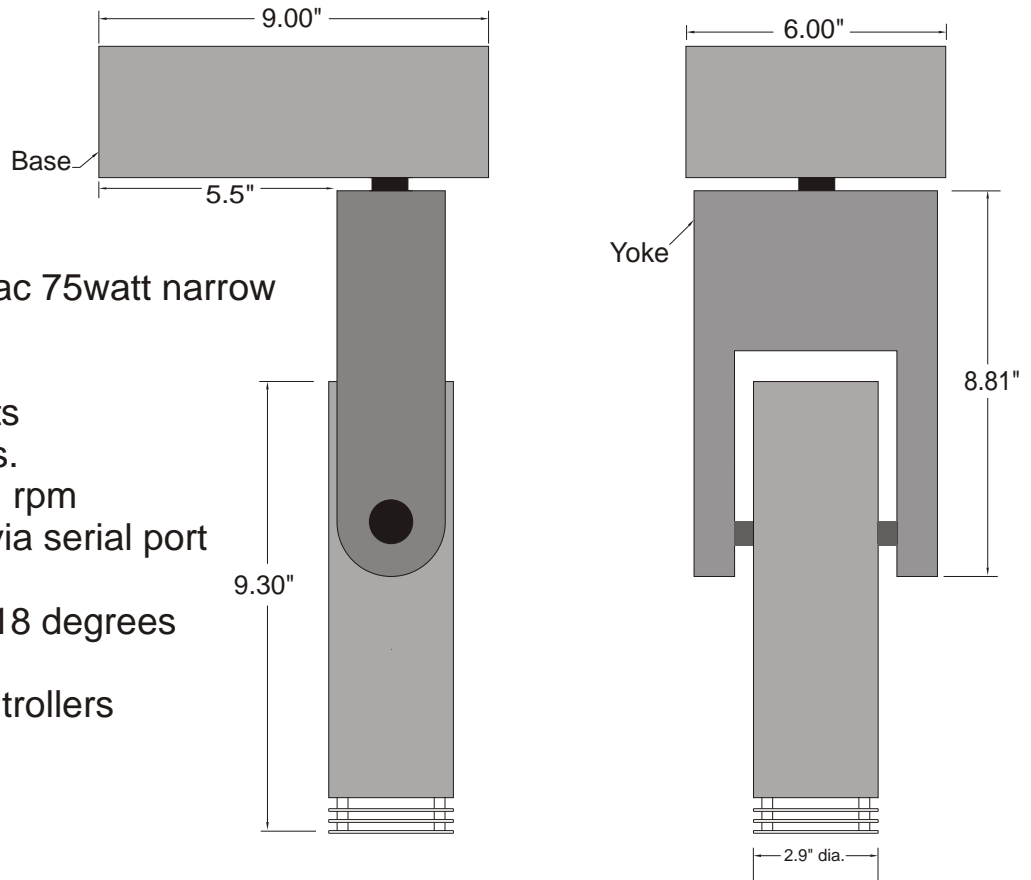
*Journey into a new dimension with a RoboLite...*



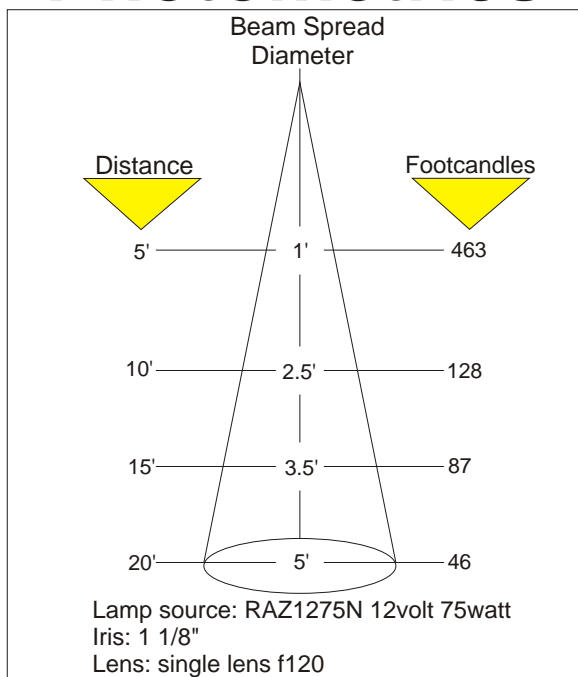
**ROBOLITE RECESSED MOUNT**

# RoboLite Specifications

Lamp: MR16 EYF 12vac 75watt narrow  
 Lamp life: 3500 hours  
 Voltage input: 120vac  
 Total Wattage: 120watts  
 Fixture weight: 12.2 lbs.  
 Speed range: 60 to .01 rpm  
 Communications: PC via serial port  
 Protocol: Serial ascii  
 Position accuracy: 0.018 degrees  
 Home position sensor  
 Two onboard Microcontrollers  
 Internal memory 4kb



## Photometrics



## Accessories & Options

- Color/pattern changing unit
- Custom lamps
- Iris kit
- Framing kit
- Patterns(Metal, film, and color film)
- Lens: wide angle
- Dichroic Filters (Red, Green, Blue, Yellow, Amber)
- Contact factory for catalog and additional details on customs.

Established 1983  
 RazLight  
 Engineering

Office: 3549 East Reichert Drive, Crete, Illinois 60417  
 Phone: (708)672-0808, Fax: (708)672-4323  
 Factory: 990 Richard Road, Dyer, Indiana 46311  
 Phone: (219)322-8800, Fax: (219)322-8831  
 E-Mail: RazLight@AOL.COM  
 Web: RazLight.com