

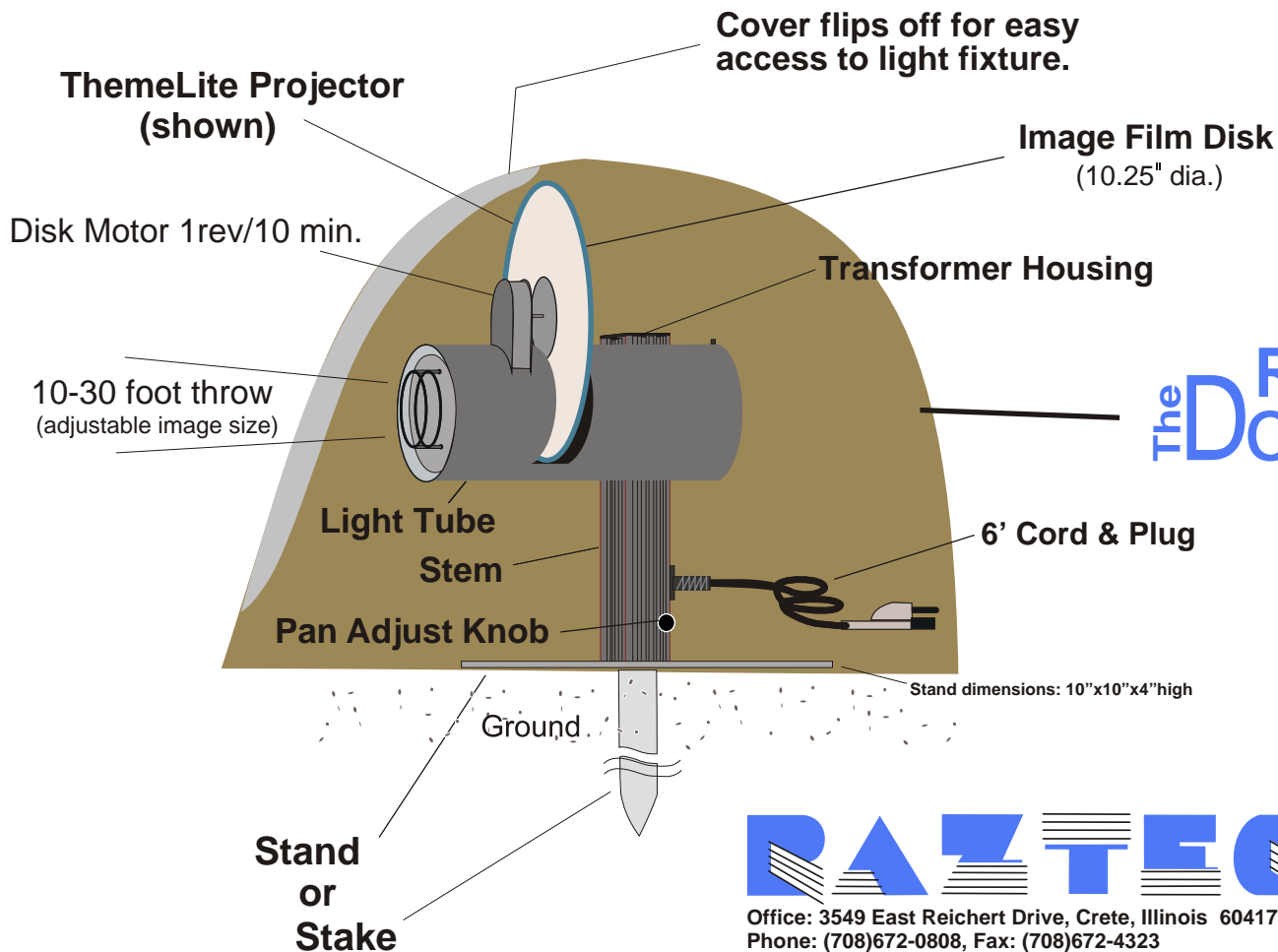
# The Raz Dome™

## Protective cover



Dome dimensions: (20" L)(12" W)(16" H)

Protects the OdiLite, ThemeLite, and many of our other projectors for outdoor use.



The Raz Dome™

**RAZTECH** Established 1983 Manufacturing Engineering

Office: 3549 East Reichert Drive, Crete, Illinois 60417  
 Phone: (708)672-0808, Fax: (708)672-4323  
 Factory: 990 Richard Road, Dyer, Indiana 46311  
 Phone: (219)322-8800, Fax: (219)322-8831  
 E-Mail: RazLight@AOL.COM  
 Web: RazLight.com

*Lighting*