

RAZ575TM

MSD/MSR Metal Halide Ellipsoidal Projector



The RAZ575 is a 575 watt metal halide projector with a beam range adjustable between 23 to 50 degrees. The beam has little to no distortion so it is ideal for image projection. The fixture is constructed from aluminum pressure die-castings and injection molded plastic components. The RAZ575 can be used outdoors in conjunction with an outdoor enclosure.



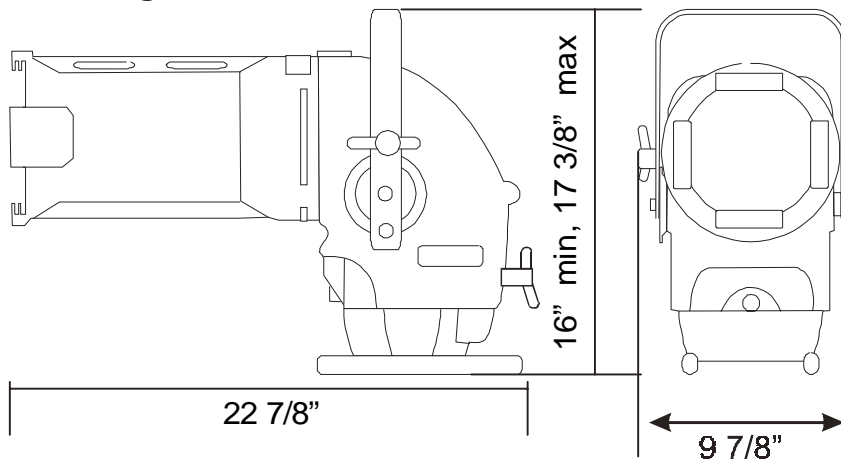
Office: 3549 East Reichert Drive, Crete, Illinois 60417
Phone: (708)672-0808, Fax: (708)672-4323
Factory: 990 Richard Road, Dyer, Indiana 46311
Phone: (219)322-8800, Fax: (219)322-8831
E-Mail: RazLight@AOL.COM
Web: RazLight.com

Engineering
Lighting

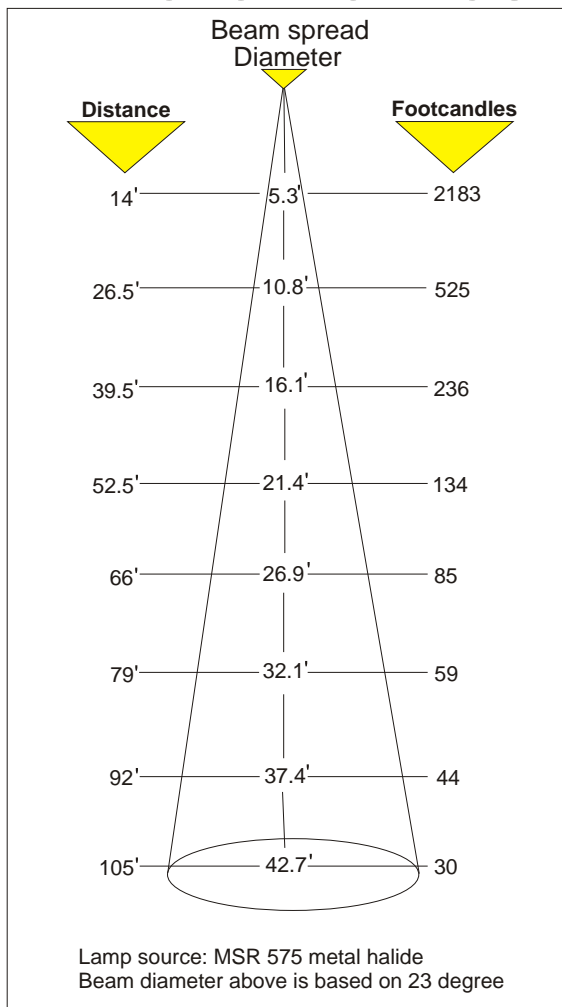
RAZ575™ Specifications

Gobo size: 3" diameter image

Weight: 18lbs 8oz



Photometrics



Features:

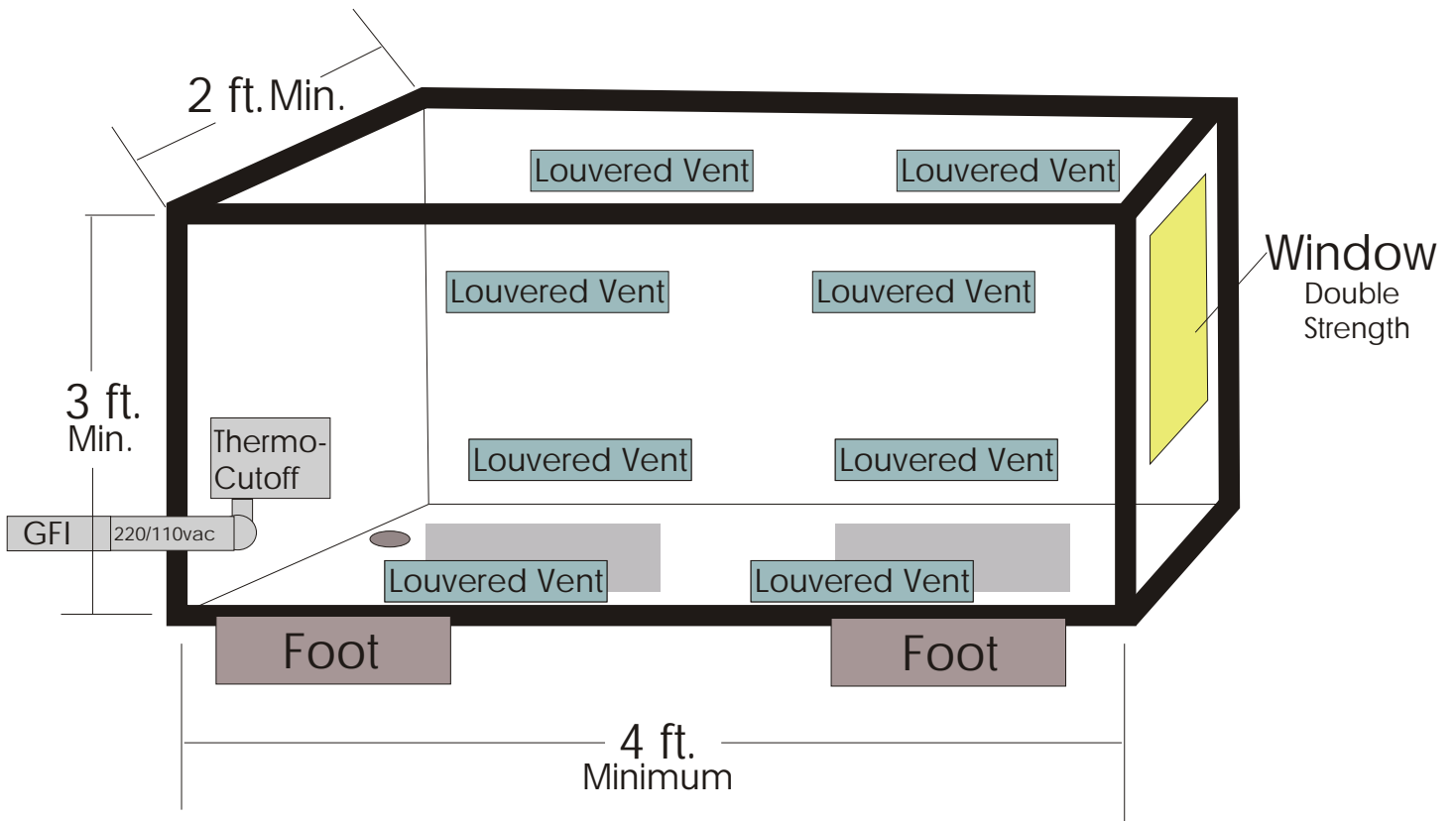
- Energy efficient fixture with lower energy consumption.
- Cool 'white' light where over 80% of the heat is removed from the light beam by cold mirror and dissipated through the heat-sink.
- Lamp mounted axially in the reflector to maximize light collection.
- Accurate, simple & cool to use, lamp peak / flat adjustment.
- Two pattern / iris mounting positions
- Rotatable lens tube
- Automatic disconnection of power on removal of lamp module.
- Height adjustable yoke



Office: 3549 East Reichert Drive, Crete, Illinois 60417
 Phone: (708)672-0808, Fax: (708)672-4323
 Factory: 990 Richard Road, Dyer, Indiana 46311
 Phone: (219)322-8800, Fax: (219)322-8831
 E-Mail: RazLight@AOL.COM
 Web: RazLight.com

Lighting

Diagram for outdoor enclosure for the RAZ575



Note: Screen all Louver Vents

