

*Recessed Pro*TM

Recessed can projector



The Recessed Projector consists of a standard light box or can with a projector assembly mounted within. A 12vac transformer is mounted in the junction box next to the light can. Image film is mounted in the projector to create company logos or artistic scenes.



Office: 3549 East Reichert Drive, Crete, Illinois 60417
Phone: (708)672-0808, Fax: (708)672-4323
Factory / Repair Dept: 990 Richard Rd, Dyer, IN 46311
Phone: (219)322-8800, Fax: (219)322-8831
E-Mail: RazLight@AOL.COM
Web: RazLight.com

Lighting

Recessed Projector Instructions

For Interior Use

Inserting Image: Loosen both front collars and slide front assembly off of rails. Remove third collar and remove film assembly. Move clips aside and change film with silver side facing lamp light.

Adjusting Focus: Move lens assembly in or out on rails then lock in place with collars.

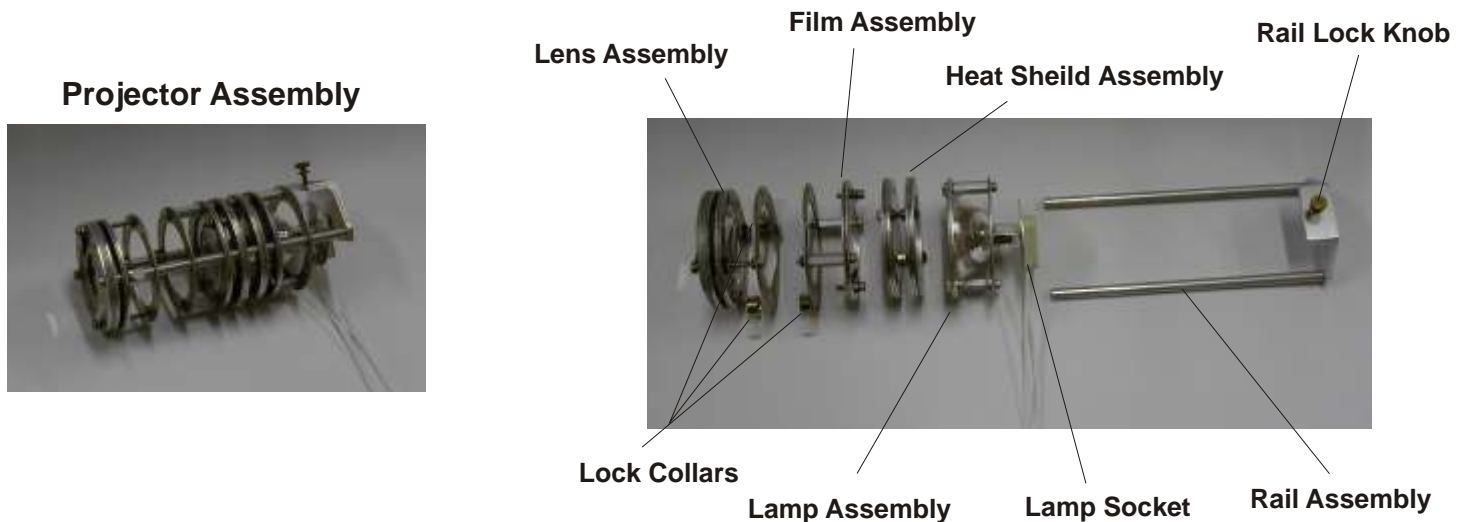
Lamp Changing: Loosen all collars and remove all assemblies. Unplug socket and loosen ring screws, remove and replace lamp.

Mounting Projector Assembly: Remove all assemblies from rail assembly. Screw the rail bracket to the light can bracket with thumb screw.

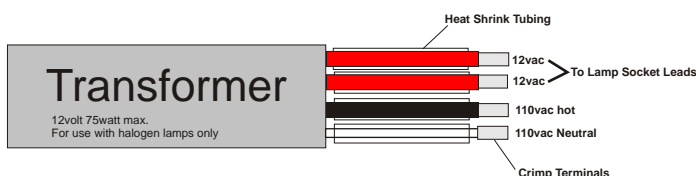
Lamp Type: The Lamp assembly is installed with a 50watt narrow beam halogen lamp. Smaller Light cans may need a 35 or 20watt lamp to prevent the thermo-switch from turning the projector off and on.

A dimmer can be placed in the circuit to set the optimal light output and reduce thermo-switching.

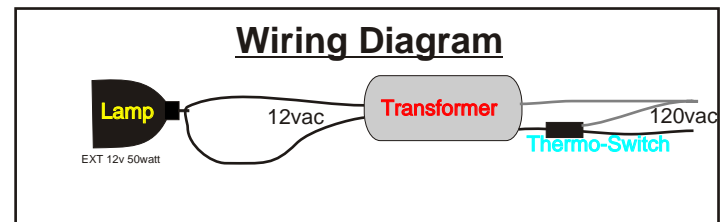
Installing Transformer: The transformer can be replaced through the access hatch in the light can.



Transformer Instructions



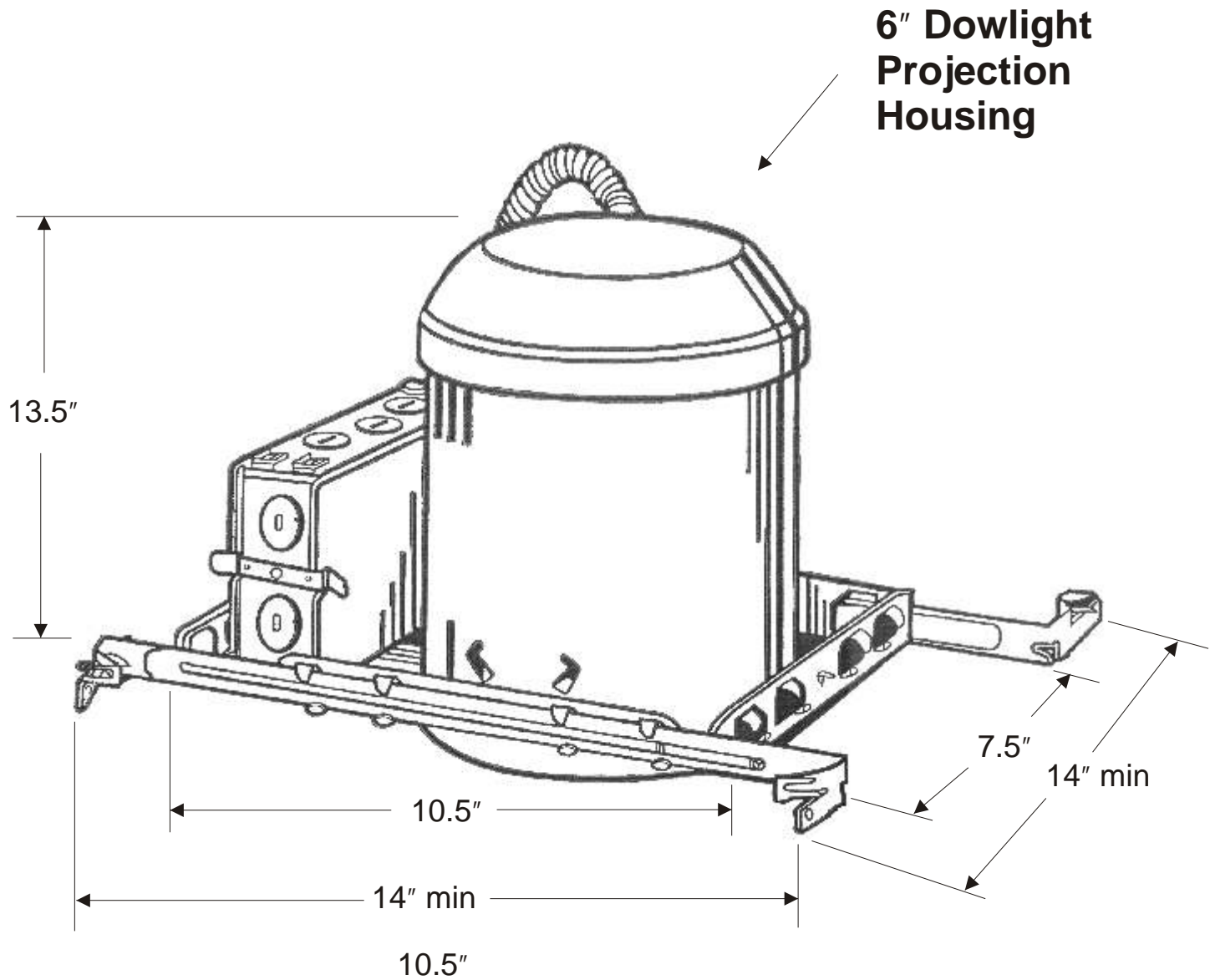
- 1.) Crimp red leads to lamp socket leads.
- 2.) Crimp black transformer lead to hot(black) wire of cord.
- 3.) Crimp white transformer lead to neutral(white) wire of cord.
- 4.) Pull heat shrink tubing over crimps and heat tubing carefully.



Office: 3549 East Reichert Drive, Crete, Illinois 60417
Phone: (708)672-0808, Fax: (708)672-4323
Factory / Repair Dept: 990 Richard Rd, Dyer, IN 46311
Phone: (219)322-8800, Fax: (219)322-8831
E-Mail: RazLight@AOL.COM
Web: RazLight.com

Lighting

Recessed Projector Dimensions



*Approved for direct contact with insulation

*Adjustable Hanger Bar included

*UL listed for damp locations

*Pre-wired for easy installation



Office: 3549 East Reichert Drive, Crete, Illinois 60417
Phone: (708)672-0808, Fax: (708)672-4323
Factory / Repair Dept: 990 Richard Rd, Dyer, IN 46311
Phone: (219)322-8800, Fax: (219)322-8831
E-Mail: RazLight@AOL.COM
Web: RazLight.com

Lighting